

Digitalisation of FBU Logistics

A joint project of ECG, Odette and VDA

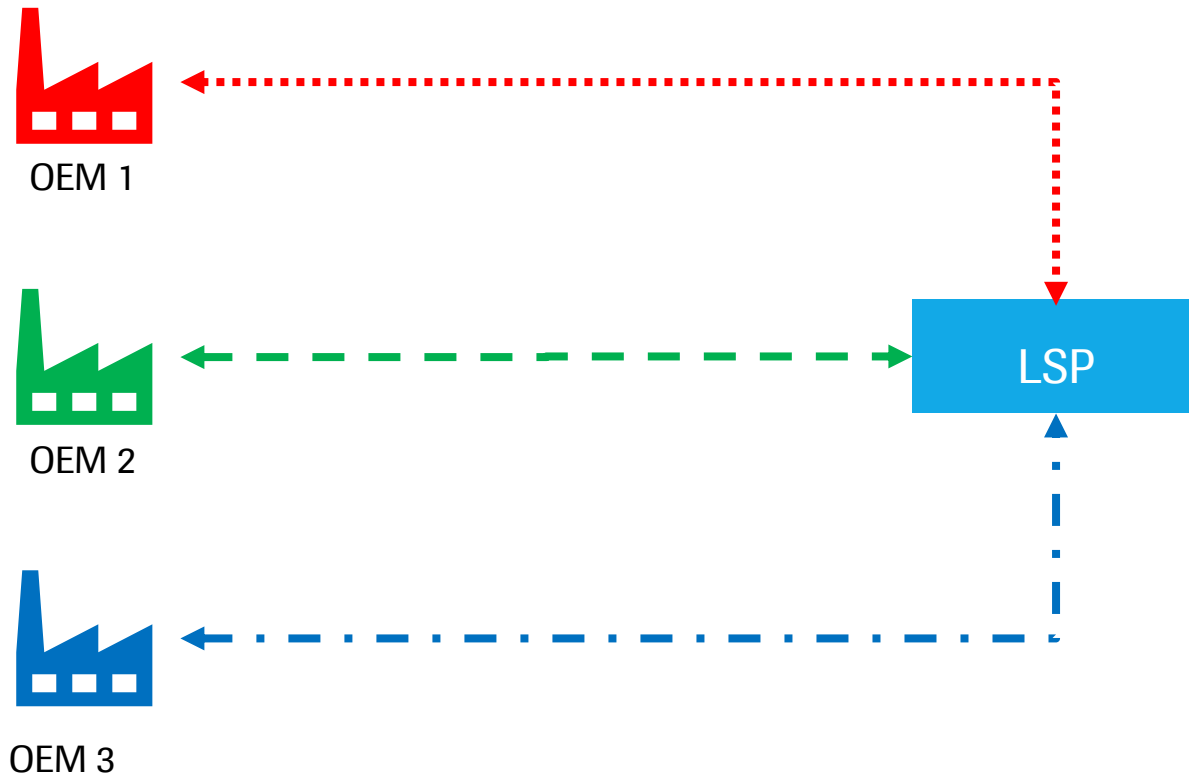
Presentation at ECG Conference
18th October 2019 in Berlin

Jörg Walther
VDA



Scope of the project

Where do we come from?



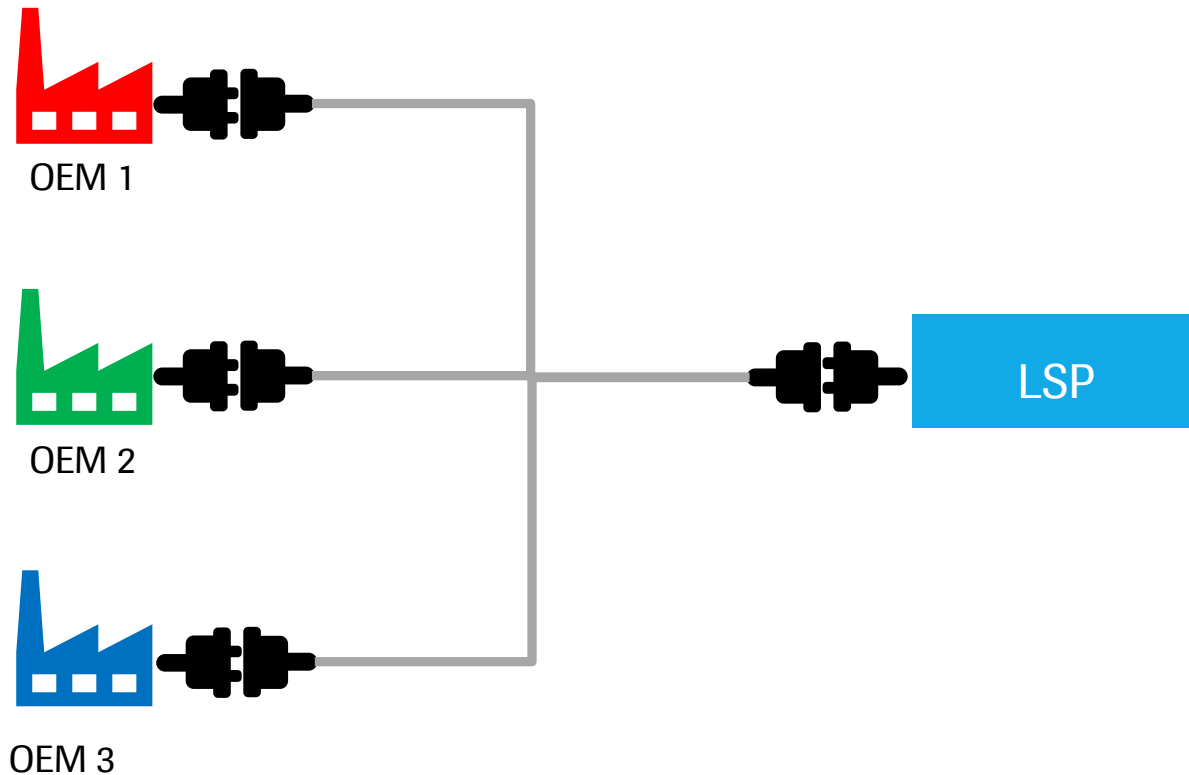
LSP needs a specific interface for each OEM customer.

New business relationships take a long time to set-up.

Maintenance processes are complex and time consuming.

Manual processes take more time and are prone to errors.

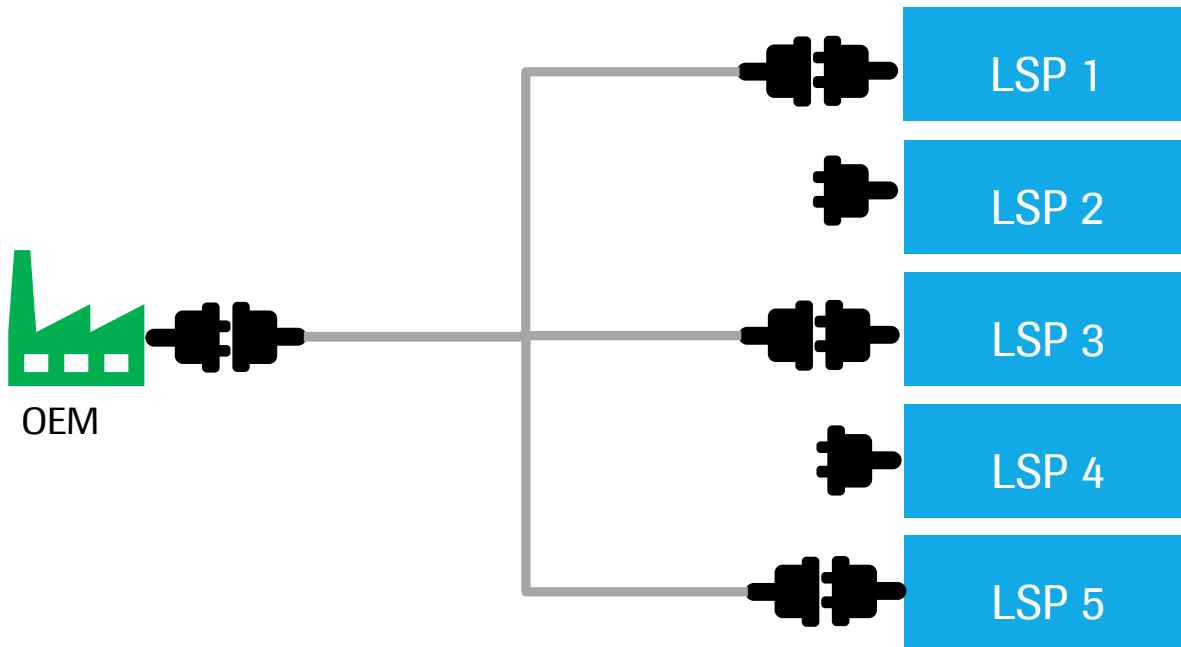
What is the goal? The LSP-perspective



One harmonised interface for the whole industry!

- Quicker on-boarding.
- More transparency.
- Reduced cost.
- Standardised messages: EDIFACT and XML

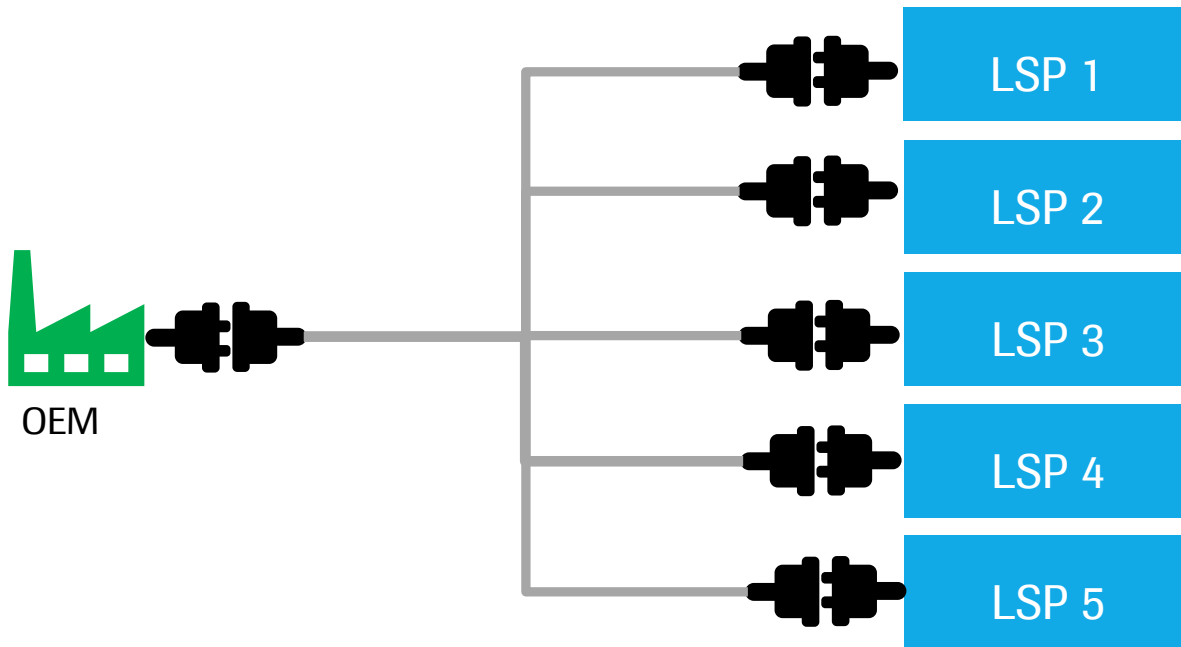
What is the goal? The OEM-perspective



One harmonised interface for the whole industry!

- Quicker on-boarding.
- More transparency.
- Reduced cost.
- Standardised messages: EDIFACT and XML

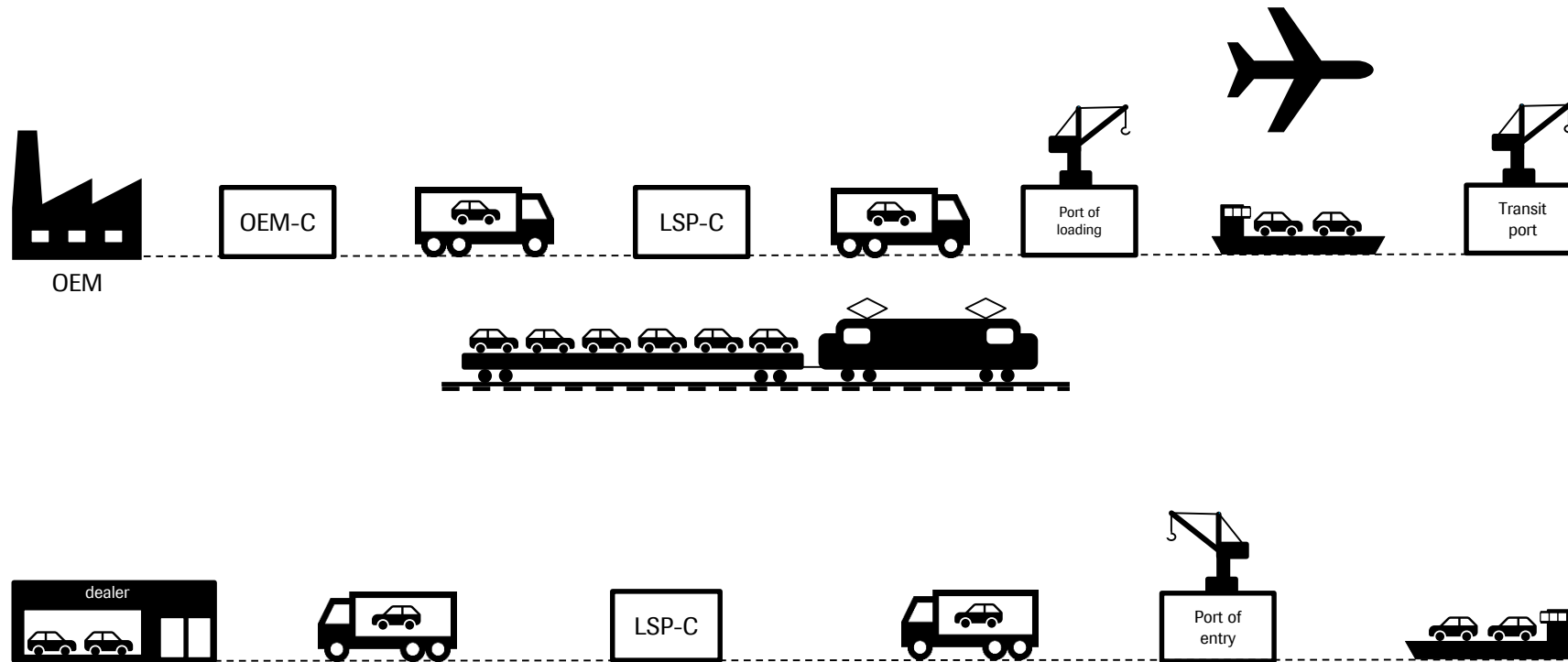
What is the goal? The OEM-perspective



One harmonised interface for the whole industry!

- Quicker on-boarding.
- More transparency.
- Reduced cost.
- Standardised messages: EDIFACT and XML

How far do we go?



We cover the full distribution chain from manufacturer to dealership via all modes of transport.

Who is involved?

OEMs

LSPs

Transporters

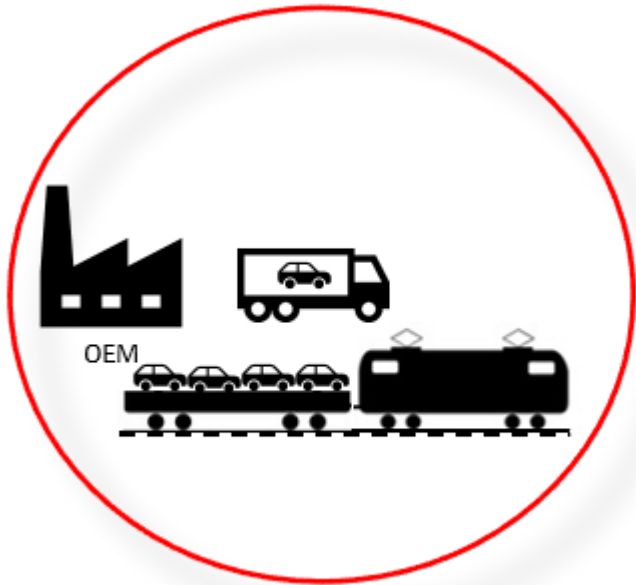
Associations

IT-Experts



Process steps and communication

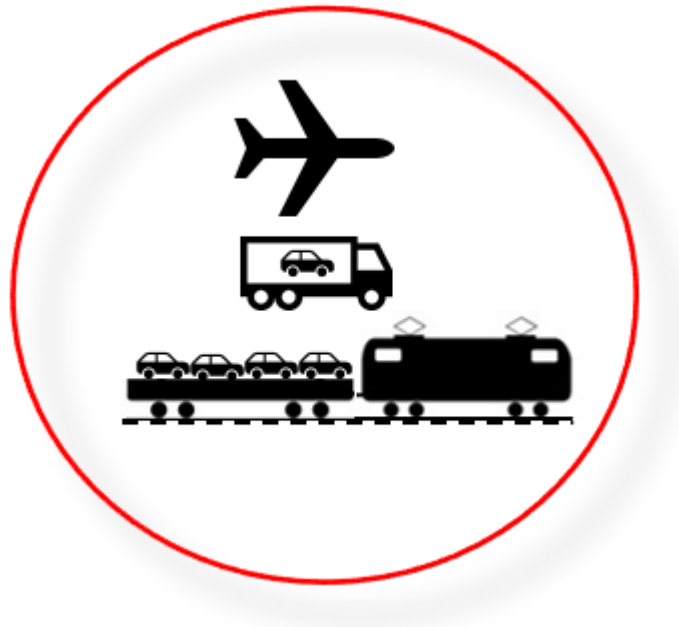
Process phase: before collection



Communication requirements

- Transport forecast
- Advanced transport notification
- Transport order
- Transport order confirmation & Planned load configuration

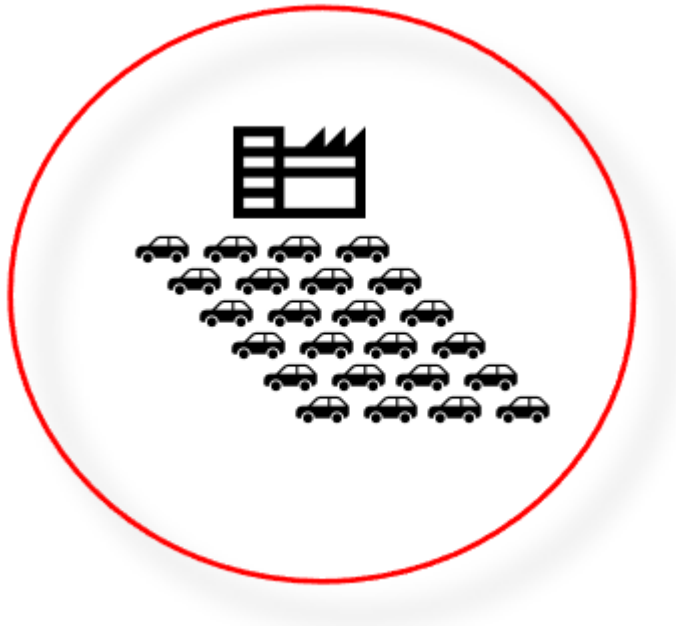
Process phase: in transit



Communication requirements

- Transport status
- Geo-location
- Damage report

Process phase: in compound



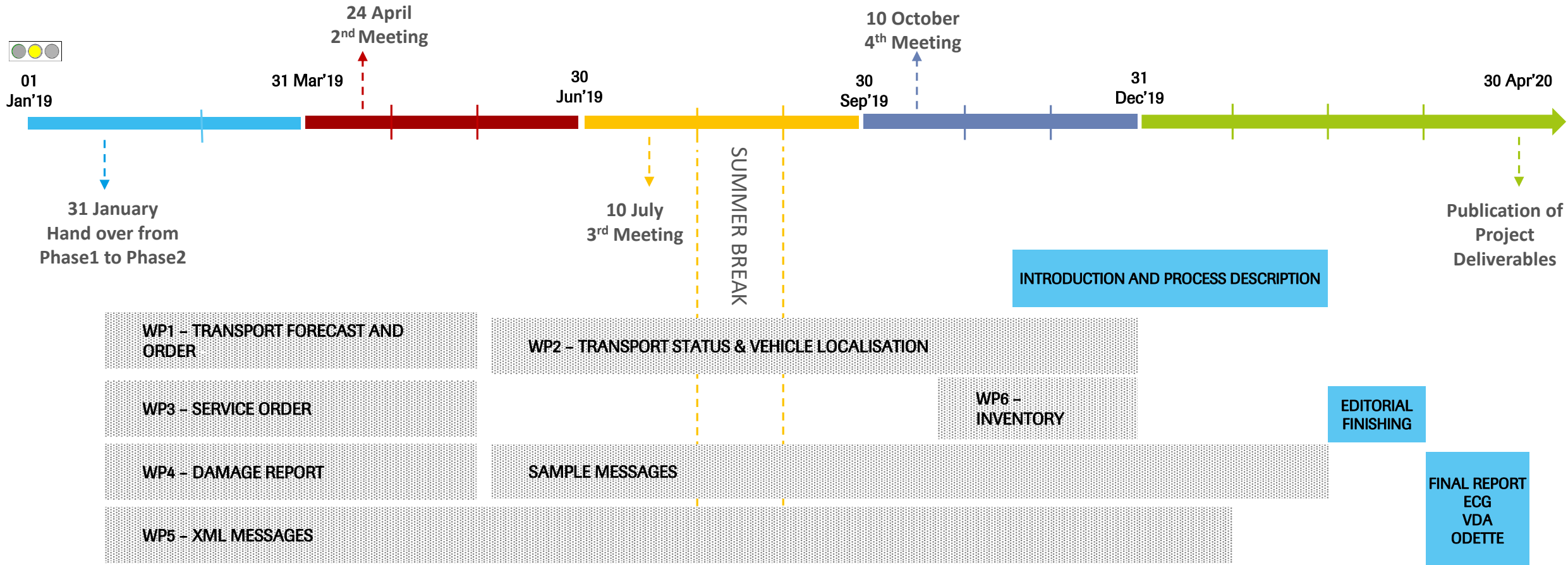
Communication requirements

- Service order (planned & ad hoc) and confirmation
- Inventory report
- Damage report
- Geo-location

List of messages

Function	EDIFACT	XML	Current Status
Transport Forecast & Advanced Transport Notification	DELFOR	<input checked="" type="checkbox"/>	Guide approved, samples in preparation
Early Transport Order & Transport Order	IFTMIN	<input checked="" type="checkbox"/>	Guide approved, samples in preparation
Transport Order Response & Planned Load Configuration	IFTMCS	<input checked="" type="checkbox"/>	Guide approved, samples in preparation
Transport Status	IFTSTA?		To be developed
Geo-Location	IFTSTA?		To be developed
Service Order	ORDERS	<input checked="" type="checkbox"/>	Guide approved, samples in preparation
Service Order Response	ORDRSP	<input checked="" type="checkbox"/>	Guide approved, samples in preparation
Damage Report	PROSRV	<input checked="" type="checkbox"/>	Guide approved, samples ready
Inventory Report	INVRPT?		To be developed

Timeline



Questions

